

Installation Series

Speaker System



Compact two-way full-range models with 8-inch or 5-inch woofers install easily in tight situations.

IF2208 & IF2108

- Sound and phase characteristics matched with all other Installation Series models.
- Single 8" woofer (IF2108) or dual 8" woofers (IF2208) plus 1.7" high-frequency compression driver with 1" exit.
- 90° x 60° dispersion pattern.
- Multi-angle cabinet design enables floor monitor applications.
- Horn can be rotated 90-degrees, allowing vertical or horizontal mounting.
- Eleven 10mm-screw (M10) and six 8mm-screw (M8) suspension points provided for flexible rigging.
- Durable black or white finish (can be painted to match any interior).
- Optional matching U-bracket available.
- Parallel-wired two Neutrik NL4 and barrier strip connectors.

IF2205

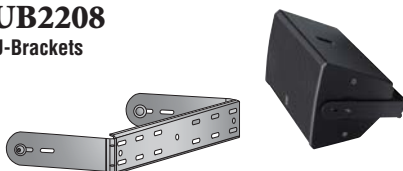
- Sound and phase characteristics matched with all other Installation Series models.
- Dual 5" woofers plus 1" high-frequency compression driver with 1" exit.
- 90° x 60° dispersion pattern.
- Horn can be rotated 90-degrees, allowing vertical or horizontal mounting.
- Six 8mm-screw (M8) and two 6mm-screw (M6) suspension points provided for flexible rigging.
- Durable black or white finish (can be painted to match any interior).
- Matching U-bracket available as an option.
- Barrier strip connectors.

OPTIONS

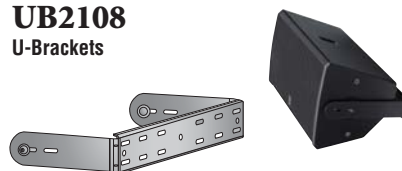
Accessories

Durable black or white finish as well as Installation series speaker, which can be painted to match any interior.

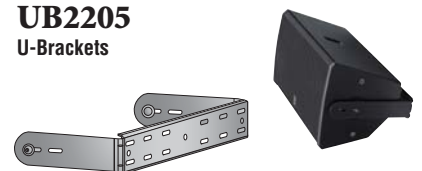
UB2208 U-Brackets



UB2108 U-Brackets



UB2205 U-Brackets



BCS251 Ceiling-Brackets



BWS251-300/400 Wall-Brackets



BBS251 Baton-Brackets



Download the Rigging Guide from Yamaha's website for rigging details:
<http://www.yamahaproaudio.com/>

Installation Series

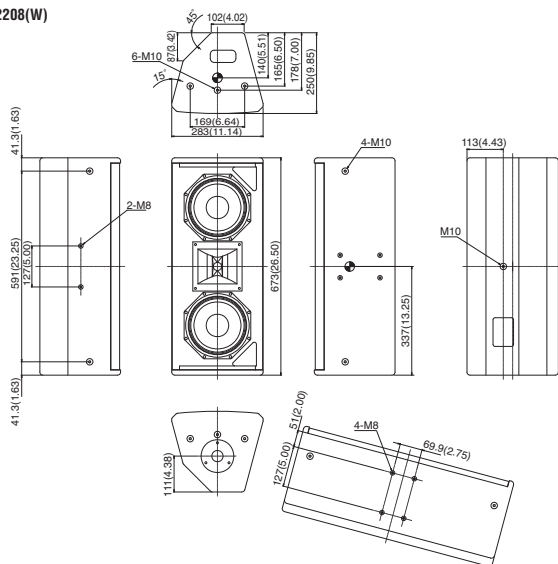
GENERAL SPECIFICATIONS

Model	IF2208(W)	IF2108(W)	IF2205(W)
Nominal coverage @-6dB (Horizontal x Vertical)	90 x 60 (rotatable)		
Nominal impedance	8Ω		
Power rating ^{*1}	NOISE	200W	100W
	PGM	400W	200W
	MAX	800W	400W
Sensitivity (1W, 1m)	95dB SPL		89dB SPL
Continuous SPL (calculated)	118dB SPL	115dB SPL	109dB SPL
Peak SPL (calculated)	124dB SPL	121dB SPL	115dB SPL
Components	LF	2x 8" woofer 2" voice coil	2x 5" woofer 1" voice coil
	HF	Rotatable constant directivity horn, 1.4" exit, 1.7" voice coil compression driver	
Frequency range (-10dB) ^{*2}	55 Hz-19k Hz		65 Hz-19k Hz
Passive Crossover Frequency ^{*3}	1.4 kHz	1.6 kHz	1.7 kHz
Connectors	2x NL4 and barrier strip, wired in parallel		Barrier strip
Shape	Multi-angle wedge		Rectangular
Dimensions (W x H x D)	283 x 673 x 250mm (11.1" x 26.5" x 9.8")	283 x 448 x 250mm (11.1" x 17.6" x 9.8")	457 x 146 x 226mm (18.0" x 5.8" x 8.9")
Weight	19.0kg (42.0lbs)	14.0kg (31.0lbs)	7.5kg (17.0lbs)
Flying hardware	11x M10, 6x M8		
Optional accessories	UB2208(W)	UB2108(W)	UB2205(W)
3rd Party Accessories	Omnimount (US)	60.0 series	20.5 series
	Multimount (US, Allen products)	020, 022 series	020, 022 series
	Powerdrive (UK)	100 series	100 series
	Ohashi (Japan)	SPH-140, SPA-140, BCH-140 series	SPH-140, SPA-140, BCH-140 series
			SPH-140, SPA-140, BCH-140 series

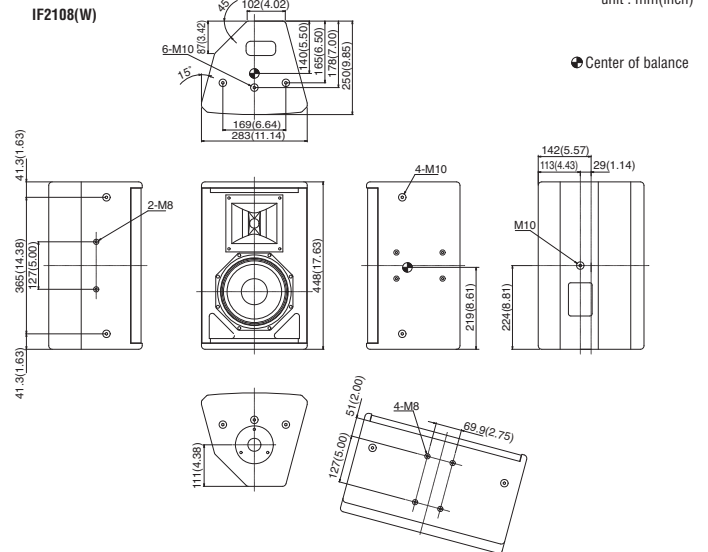
*1 2 hours, IEC *2 Yamaha recommended DSP configuration, full-space *3 At this frequency, the transducers produce equal sound pressure levels.

DIMENSIONS

IF2208(W)



IF2108(W)



IF2205(W)

